



VIDNEL Series VN080

**Adjustable
Beam Fresnel!**

SYSTEM

Powerful 80 watt, high color rendering LED Fresnel fixture. It provides the single shadow and focusing characteristics essential to Fresnel fixtures while using a fraction of the power of tungsten units. The fixture generates a strong directional beam of adjustable light with even coverage of 3200K color (5600K optional). It also delivers flicker-free dimming without color shift and amazing color rendering at 96+ CRI. A manual slide bar at the side of the fixture adjusts the beam and locks in place. Dual copper pipe heat sink with integrated ultra-quiet axial fan assures maximum LED light output. Magnetic stabilizer ensures smooth fan operation in any position. A simple touch pad on the side allows easy programming for DMX control and dimming. Fixture shuts off power to the integral driver when dimmed to ZERO in DMX mode so no external relay or power cut off is required. Additional control achieved with 4" gel frame and barn door accessory options. cCSAus for USA/Canada and CE Listing in process.

SPECIFICATION

Housing: Constructed of .063 formed and extruded aluminum then coated with black and silver textured TGIC polyester powder coat finish.

LED: (1) 80 watt LED chip provides a concentrated ultra bright beam with even coverage of 3200K light (5600K optional). 96+ CRI.

Electrical: Unit input is 120 thru 230 volts 50/60 Hz. Draws 80 watts with on-board power supply and integrated dimmer. Silent operation. Power to unit includes powerCON in and out locking connectors and on/off switch. Touch pad programming for control.

Mounting: Provided with robust .187 aluminum yoke. Unit may rotate vertically through the yoke and horizontally through a pipe clamp for ease of focus, and may be locked into place.

Fixture Includes:

- (1) LED 80 watt Chip
- 16' power cord with NEMA5-15 (3) prong plug
- (1) C-Clamp or 5/8" Stand Adapter (Specify One)

LED OPTICS

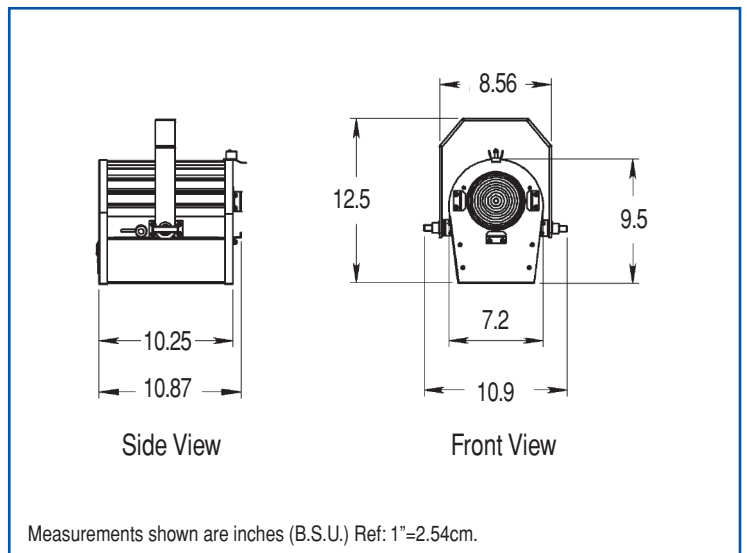
(1) 80 watt Chip at 3200K (5600K optional)
50,000 Hours Life CRI: 96+

OPTIONS *(Must Specify Each)*

Driver 120 thru 230 volts, 50-60Hz

Mounting 2" O.D.C-Clamp
5/8" Stand Adapter

LEDs 3200K (Standard)
5600K



MODEL

VN080-32K-OB/DMX
VN080-56K-OB/DMX

On Board and DMX 120v-230v
On Board and DMX 120v-230v

WEIGHT

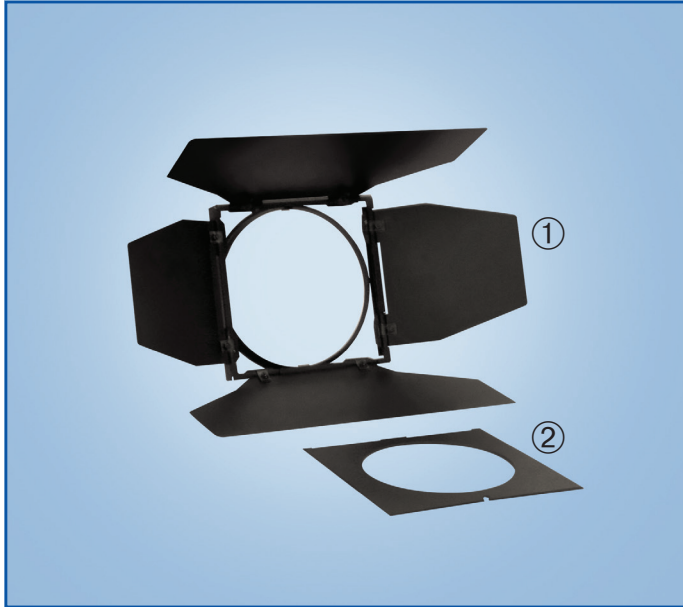
Lbs 10
Kg 4.6

DIMENSIONS

	Inches	Cm
Length	10.9	27.7
Height	12.5	31.8
Width	10.9	27.7

ACCESSORIES

(See detailed description and function in Accessories Section)



PART #

- ① BD-VN080 Barn Door
- ② GF-VN080 Gel Frame

PHOTOMETRICS*

4-15		DISTANCE		
MODEL VN080-32K		9ft./2.7m	12ft/3.66m	15ft/4.58m
NO ACCESSORIES	FC	278	167	103
SPOT FOCUS	Lux	2993	1798	1109
	Visible Beam Spread	18" Dia.	30" Dia.	48" Dia.
NO ACCESSORIES	FC	79	46	28
FLOOD FOCUS	Lux	850	495	301

* Light level readings were measured in foot-candles (fc) and converted to Lux using the conversion factor of 1 fc = 10.765 Lux. Values shown are light levels on centerline. Reference: Meter used – Minolta T-1 Illuminance meter. LEDs 3200K. Ambient temperature in test studio 75F ± 3F. Distance measurements converted to feet using 1ft = .305 m. Original photometric data on file at the factory.