



VIDNEL Series VN240

**Adjustable
Beam Fresnel!**

SYSTEM

Powerful 240 watt, high color rendering LED Fresnel fixture. It provides the single shadow and focusing characteristics essential to Fresnel fixtures while using a fraction of the power of tungsten units. The fixture generates a strong directional beam of adjustable light with even coverage of 3200K color (5600K optional). It also delivers flicker-free dimming without color shift and amazing color rendering at 96+ CRI. A manual slide bar at the side of the fixture adjusts the beam and locks in place. Dual copper pipe heat sink with integrated ultra-quiet axial fan assures maximum LED light output. Magnetic stabilizer ensures smooth fan operation in any position. A simple touch pad on the side allows easy programming for DMX control and dimming. Fixture shuts off power to the integral driver when dimmed to ZERO in DMX mode so no external relay or power cut off is required. Additional control achieved with 8" gel frame and barn door accessory options. cCSAus for USA/Canada and CE Listing in process.

SPECIFICATION

Housing: Constructed of .063 formed and extruded aluminum then coated with black and silver textured TGIC polyester powder coat finish.

LED: (1) 240 watt LED chip provides a concentrated ultra bright beam with even coverage of 3200K light (5600K optional). 96+ CRI.

Electrical: Unit input is 120 thru 230 volts 50/60 Hz. Draws 259 watts with on-board power supply and integrated dimmer. Silent operation. Power to unit includes powerCON in and out locking connectors and on/off switch. Touch pad programming for control.

Mounting: Provided with robust .187 aluminum yoke. Unit may rotate vertically through the yoke and horizontally through a pipe clamp for ease of focus, and may be locked into place.

Fixture Includes:

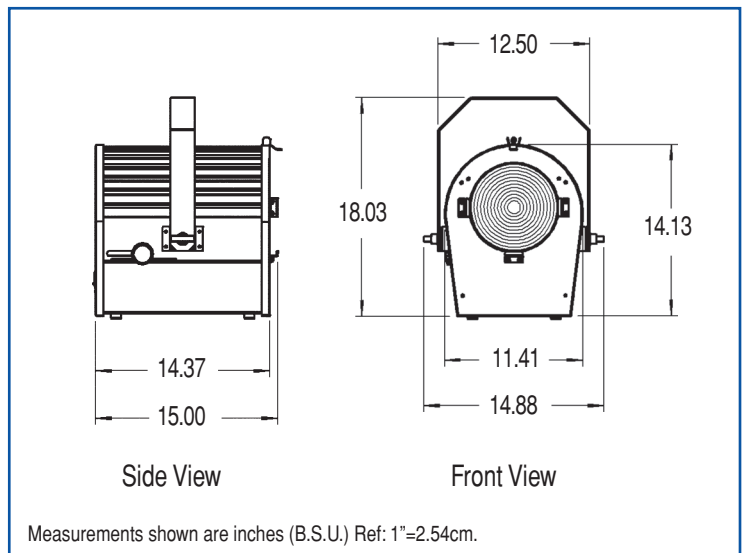
- (1) LED 240 watt Chip
- (1) Gel Frame
- 16' power cord with NEMA5-15 (3) prong plug
- (1) C-Clamp **or** 5/8" Stand Adapter (Specify One)

LED OPTICS

(1) 240 watt Chip at 3200K (5600K optional)
50,000 Hours Life CRI: 96+

OPTIONS *(Must Specify Each)*

Driver 120 thru 230 volts, 50-60Hz
Mounting 2" O.D.C-Clamp
5/8" Stand Adapter
LEDs 3200K (Standard)
5600K



MODEL

VN240-32K-OB/DMX
VN240-56K-OB/DMX

On Board and DMX 120v-230v
On Board and DMX 120v-230v

WEIGHT

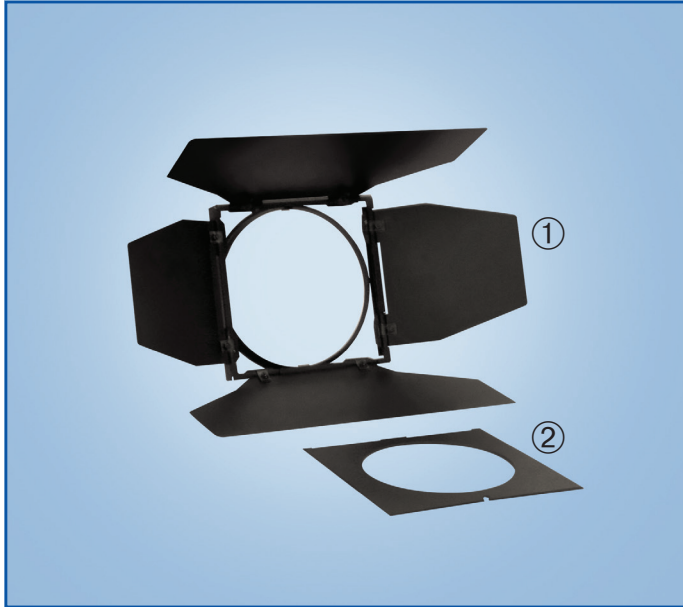
	Lbs	Kg
Complete	25.0	11.4

DIMENSIONS

	Inches	Cm
Length	15.0	38.1
Height	18.0	45.7
Width	14.9	37.8

ACCESSORIES

(See detailed description and function in Accessories Section)



PART #

- ① BD-VN240 Barn Door
- ② GF-VN240 Gel Frame

PHOTOMETRICS*

3-16		DISTANCE		
MODEL VN240-32K		15ft./4.58m	25ft/7.63m	35ft/10.7
NO ACCESSORIES	FC	470	171	86
SPOT FOCUS	Lux	5060	1841	926
	Visible Beam Spread	32" Dia.	52" Dia.	72" Dia.
NO ACCESSORIES	FC	105	40	22
FLOOD FOCUS	Lux	1130	431	237

* Light level readings were measured in foot-candles (fc) and converted to Lux using the conversion factor of 1 fc = 10.765 Lux. Values shown are light levels on centerline. Reference: Meter used – Minolta T-1 Illuminance meter. LEDs 3200K. Ambient temperature in test studio 75F ± 3F. Distance measurements converted to feet using 1ft = .305 m. Original photometric data on file at the factory.