



**Stationary & Focussable
Beam Fresnel!**

Little VID Series LV050 & LV050-F

SYSTEM

Compact, powerful 50 watt, high color rendering LED Fresnel fixtures. The stationary version has permanent barn doors to shield or focus the light intensity. The focussable version, allows additional control achieved with 4" gel frame and barn door accessory options. A manual slide bar at the top of the fixture adjusts the beam and locks in place. Both provide the single shadow characteristics essential to Fresnel fixtures while using a fraction of the power of tungsten units. The fixtures are very small, light weight and easy to handle or mount in tight quarters. They deliver flicker-free dimming without color shift and amazing color rendering at 96+ CRI. Heat dissipation is designed with a unique passive thermal cooling system to assure maximum LED light output without internal fans. Provided with 12' cord to remote driver box that allows easy programming for dimming or DMX control. Power is shut off to the driver and LED when dimmed to ZERO with DMX so no external relay or power cut off is required. cCSAus for USA/Canada and CE Listed.

SPECIFICATION

Housing: Constructed of .063 formed aluminum then coated with black and silver textured TGIC polyester powdercoat finish.

LED: (1) 50 watt LED chip provides a concentrated ultra bright beam with even coverage of 3200K light (5600K optional). 96+ CRI.

Electrical: Unit input is 120 thru 230 volts 50/60 Hz. It draws 50 watts with remote power supply control for dimming or DMX. Silent operation. Power to remote with powerCON locking connectors and on/off switch.

Mounting: Provided with .125 aluminum yoke. Unit may rotate vertically through the yoke and horizontally through a pipe clamp for ease of focus, and may be locked into place.

Fixture Includes:

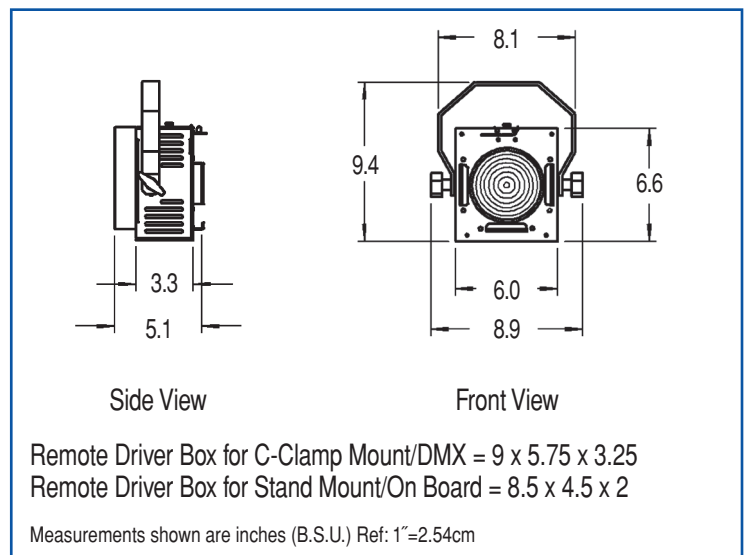
- (1) LED Chip
- 12' Cord to Remote power supply.
- (1) Remote Power Supply with OB or DMX Dim
- (2) C-Clamp or 5/8" Stand Adapter (Specify One)

OPTIONS *(Must Specify Each)*

Remote Supply	120-230 volts, On Board Dim 120-230 volts, DMX Dim
Mounting	2" O.D.C-Clamp (see drawing page 2) 5/8" Stand Adapter
LEDs	3200K (Standard) 5600K

LED OPTICS

(1) 50 watt Chip at 3200K (5600K optional)
50,000 Hours Life CRI: 96+



STATIONARY MODEL

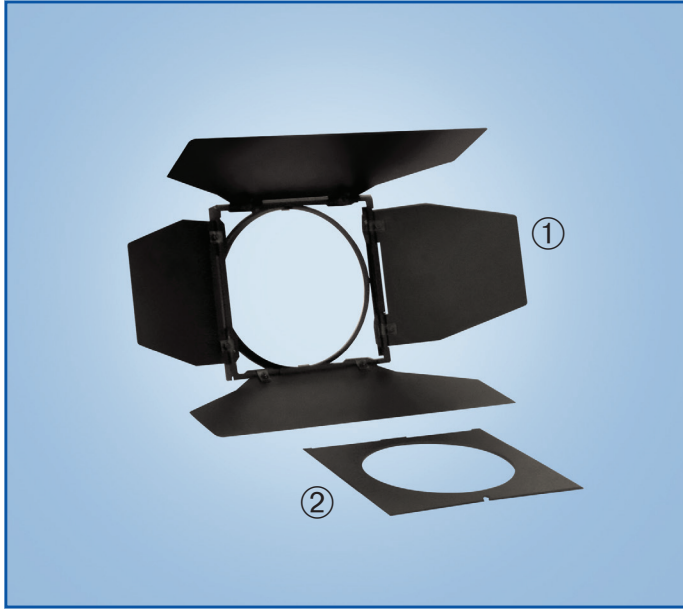
LV050-32K-OB	Power Supply – On Board Dim 120v-230v
LV050-56K-OB	Power Supply – On Board Dim 120v-230v
LV050-32K-DMX	Power Supply – DMX Dim 120v-230v
LV050-56K-DMX	Power Supply – DMX Dim 120v-230v

FOCUSBLE MODEL

LV050-F-32K-OB	Power Supply – On Board Dim 120v-230v
LV050-F-56K-OB	Power Supply – On Board Dim 120v-230v
LV050-F-32K-DMX	Power Supply – DMX Dim 120v-230v
LV050-F-56K-DMX	Power Supply – DMX Dim 120v-230v

ACCESSORIES for LV050-F Only

(See detailed description and function in Accessories Section)



PART #

- ① BD-LV050-F Barn Door
- ② GF-LV050-F Gel Frame

LV050

WEIGHT	Lbs	Kg	DIMENSIONS	Inches	Cm
Complete	5.0	2.3	Length	5.1	12.9
			Height	9.4	23.9
			Width	8.9	22.6

LV050-F

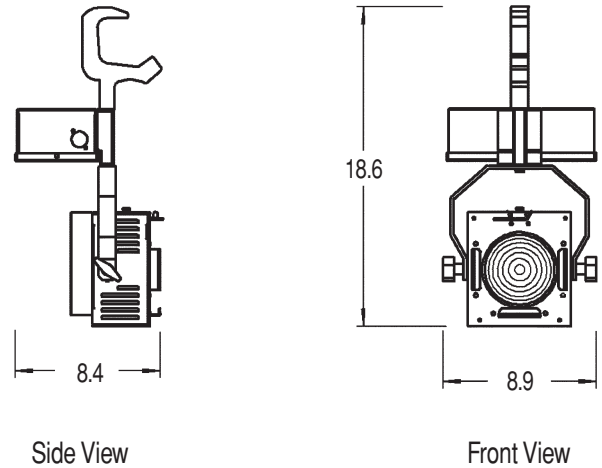
WEIGHT	Lbs	Kg	DIMENSIONS	Inches	Cm
Complete	4.6	2.1	Length	5.1	12.9
			Height	9.4	23.9
			Width	8.9	22.6

PHOTOMETRICS*

2-14	STATIONARY		DISTANCE		
MODEL LV050-32K			9ft./2.7m	12ft/3.66m	15ft/4.58m
NO ACCESSORIES	FC	53	32	23	
	Lux	570	344	248	
	Visible Beam Spread	8' Dia.	10' Dia.	12' Dia.	
3-15	FOCUSABLE		DISTANCE		
MODEL LV050-F-32K			9ft./2.7m	12ft/3.66m	15ft/4.58m
NO ACCESSORIES	FC	177	102	68	
SPOT	Lux	1905	1098	732	
	Visible Beam Spread	2' Dia.	2.5' Dia.	3' Dia.	
NO ACCESSORIES	FC	99	57	39	
FLOOD	Lux	1067	614	420	
	Visible Beam Spread	4' Dia.	6' Dia.	7' Dia.	

* Light level readings were measured in foot-candles (fc) and converted to Lux using the conversion factor of 1 fc = 10.765 Lux. Values shown are light levels on centerline. Reference: Meter used – Minolta T-1 Illuminance meter. LEDs 3200K. Ambient temperature in test studio 75F ± 3F. Distance measurements converted to feet using 1ft = .305 m. Original photometric data on file at the factory.

C-CLAMP MOUNTING



Measurements shown are inches (B.S.U.) Ref: 1"=2.54cm